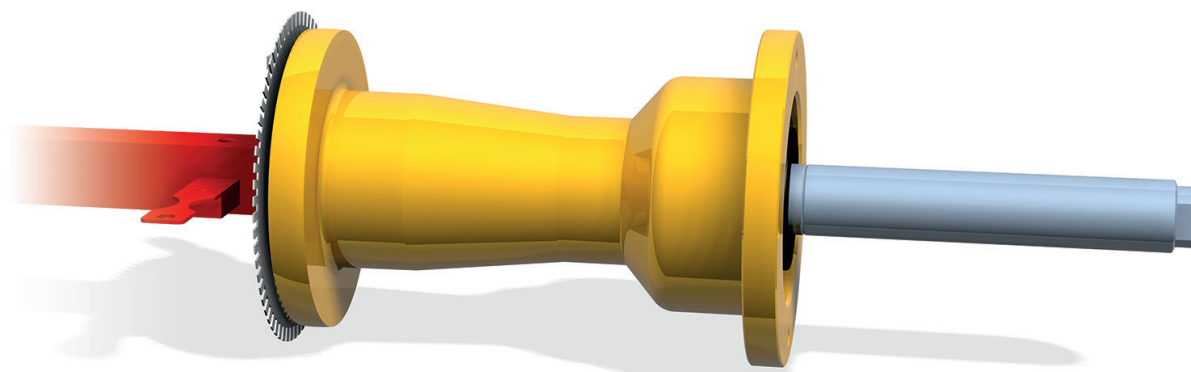




The advantages of FASEP Balancing System

INTEGRATED FLANGE Shaft

for a perfect centering



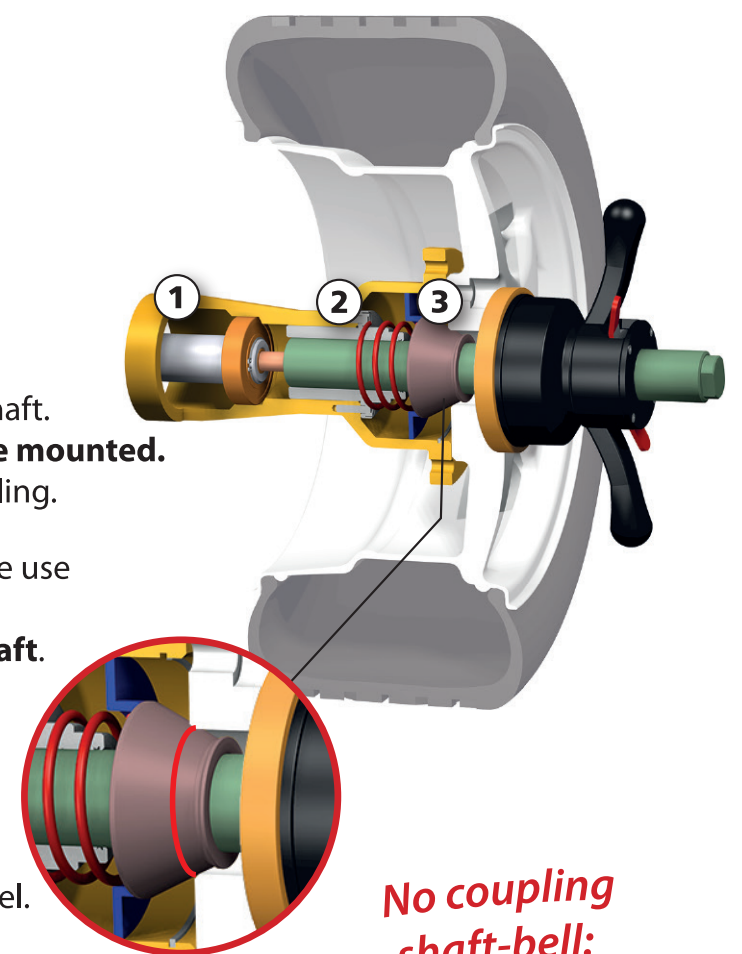
Results
**ALWAYS
PERFECT!**



INTEGRATED
FLANGE
SHAFT

- **YES** the bell flange is **integrated in the shaft**
- **NO** it **doesn't need** to be mounted
- **NO** dirt or usury
- **YES** **tolerances** of coupling are **eliminated**
- **YES** it improves dramatically the **centering accuracy**

- ① The bell flange is integrated in the shaft. **It doesn't need to be mounted.** No tolerance of coupling.
- ② The rear spring for the use of the inner cone is **integrated in the shaft.** It is not necessary to mount it and it is protected against dirt, **facilitating the operator** in mounting the wheel.
- ③ Inner cone. **Centering** is absolutely **easy and accurate.**



**No coupling
shaft-bell:
accuracy
of centering!**

FASEP Wheel Balancing System / TriSensor+ IFS: simply incomparable!



FASEP 
MADE IN ITALY