

The compact video balancer.

G4.EASY e*



LCD 19" monitor.
6 buttons key pad with icons.

OPTION
Safety cover with automatic start-stop when closed. Reduce dramatically space requirements.

Compartments for weights (9), cones (3) and tools (2).

ALU-SE
Automatic input/gauge to measure and apply stick-on weights.

FASEP WHEEL BALANCING SYSTEM

- TriSensor**
3 sensors system for unbalancing measurement.
- IFS IFS**
Integrated-flange shaft for maximum centering accuracy.

OPTION
LASER LINE
System for the accurate application of adhesive weight inside the rim.

The area where the weight will be applied is clearly visible because it is illuminated by the Laser Line.

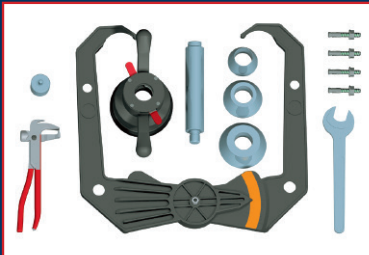
Lock pedal.

Computerized automatic wheel balancer. Suitable for Car, Vans, SUVs and Light Trucks wheels. G4.EASY 16-bit high-tech electronics (electronic motor control). 3Ph Motor with electronic control (inverter).

Cod. V358.002 - Edizione n. 1 - April 2018



STANDARD EQUIPMENT



TECHNICAL FEATURES

• Power source	220V 50-60Hz 1Ph
• Motor power	50 W
• Power source	400 W
• Balancing speed	98 RPM
• Rim diameter	10" (200 mm) - 26" (650 mm)
• Wheel Diameter (max)	34" (850 mm)
• Rim Width (max)	16" (415 mm)
• Wheel Weight (max)	75 Kg (166 Lbs)
• Measuring time	8 - 15 s.
• Accuracy	1 gr.
• Angular accuracy	256 divisions (accuracy = 1,4 deg)
• Monitor	LCD 19"
• Noise	< 70 dB (A)

FUNCTIONS

- User set up
- **START-STOP** Automatic
- Autodiagnostic
- Autocalibration
- Moto program
- Automatic input 2D data
- **SPLIT** Possibility to divide the balance weight and hide behind the spokes in a non-visible position
- **FCC** Fast Calibration Check
- **ALU-S** ALU Special function
- **ALU-SE** Electronic ALU-S function
- **MARS** Automatic Minimization of Residual Static Unbalance
- Optimization
- **AFC** Automatic Flange Calibration **OPTION**
- **ASF** ALU Special functions (LEVEL 3) **OPTION**
- **APS2** Automatic Positioning System (LEVEL3) **OPTION**
- **DUAL-OP** Doppio operatore **OPTION**
- **EMS** External measure system **OPTION**

OPTIONAL EQUIPMENT



AMSF-HD Pro Bike
Motorcyle Adaptor Kit 14 mm.



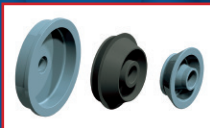
AMSF-10
10 mm. Shaft for motorcycle



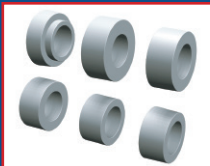
AMSF-18
18 mm. Shaft for motorcycle



FUL-HD
Universal Self-centering flange



KF
Kit Off-road & Light Trucks



SBC
Set centering bushings



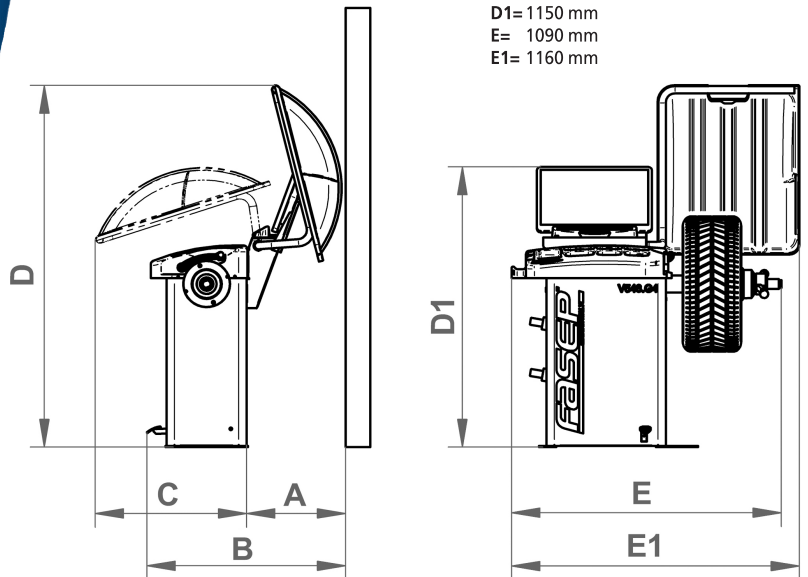
FC
Centering flanges 4/5 holes

FURTHER ACCESSORIES ON

www.fasep.it



A= 580 mm
B= 800 mm
C= 610 mm
D= 1480 mm
D1= 1150 mm
E= 1090 mm
E1= 1160 mm



Authorized dealer



For further information about this and other products, please visit www.fasep.it

FASEP
MADE IN ITALY

FASEP 2000 s.r.l.
Via Faentina, 96 - 50032 Ronta (Firenze) ITALY
Tel. +39 055 8403126 - Fax +39 055 8403354