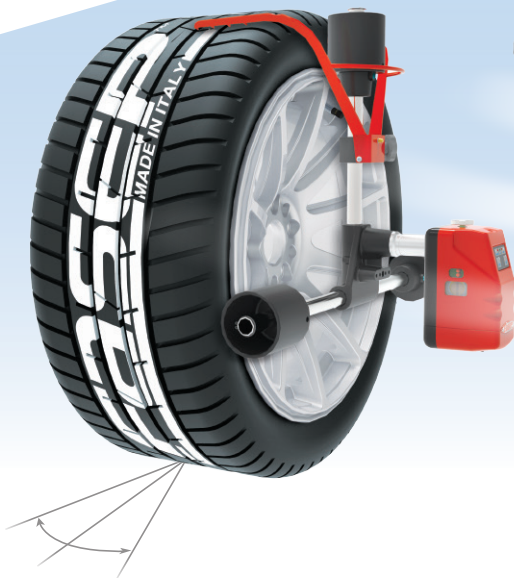


SPACE-SAVING solution: no footprint, big performance!



Everything you need for a **Quality Wheel Aligner** is right here in front of you. **Wally is a space-saving system because you hang it on-the-wall of your workshop, freeing up floor space for work.**



SOMEONE YOU CAN TRUST

VIDEOLOGIC WALLY

WALLY



Your Aligner on the wall

The fastest and most accurate Wheel Alignment System

Low cost, small footprint, big performance!

Designed for garages, bodyshops and dealerships where alignment service is impossible due to lack of space, WALLY offers the same performance as computerised systems with the same measurement accuracy, speed and throughput with minimal cost and reduced footprint.

It works with a notebook or WiFi keyboard

WALLY is a concentration of technology, an innovative wheel alignment tool that can be used on any type of PC. WALLY gives users the option of controlling their PC remotely using a WiFi keyboard or connecting the Atomic directly to their notebook using a Bluetooth connection: eliminate wasted time and manage wheel alignment functions 360° from underneath the car.

Expand customer services!

The market demands a broader range of services: wheel alignment service means higher profits and the possibility of seeing the customer more frequently. WALLY, with a minimum investment, enables you to increase your business!



Winlogic reduces wheel alignment preparation time by up to **80%**



How much more time do you want to waste today?

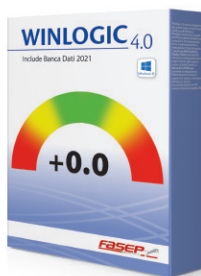
Advantages of the FASEP measurement system

FASEP Winlogic: a simple and intuitive software.



Winlogic 4.0:

- Two simple 'Next' and 'Back' buttons
- Intuitive icons
- Winlogic databank with more than 62,000 models updatable via internet
- USB port for communication with PC



ATM SYSTEM

(Automatic Track Measurement)

OPTION

System for automatic detection of tracks when the vehicle passes



Measure tracks in 5 seconds!

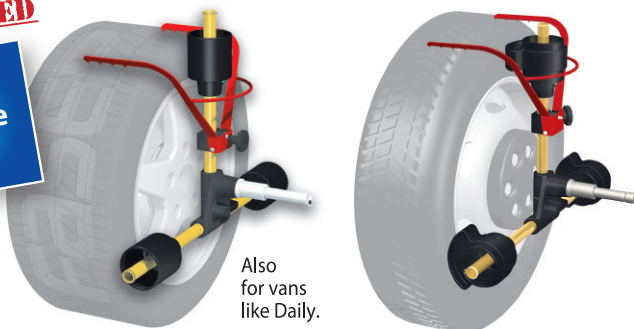
- **NO** use of electronic tracks gauge
- **NO** input tire width
- **YES** Ease and speed of operation
- **YES** Cars, vans and twin wheels

CONTACT CLAMPS

PATENTED

Versatility: for every type of wheel!

Safe and reliable on all types of tires.



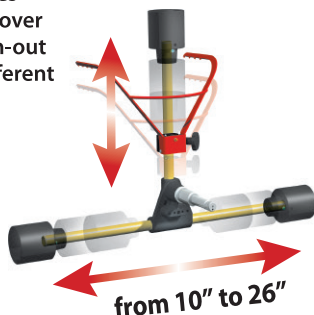
Also for vans like Daily.



- **DIRECTLY** applicable on tyres
- **NO** need to remove wheel cover
- **NO** need to compensate run-out
- **NO** adapters needed for different rim shapes



It ensures an exact measurement without need of run-out compensation, even if the rim is bent.



INFRARED SENSORS AND RADIO TRANSMISSION

Reading accuracy and update speed



WIN2 SENSOR

- Double inclinometer on chip
- 10 radio channels
- Weight: 750 gr
- Battery life 30 h

750 gr.





POSSIBLE MEASUREMENTS

- Total toe
- Single toe RH and LH
- Thrust angle (automatic compensation)
- Camber
- Caster
- Caster Swing (selectable at 10 deg or 20 deg)
- "Live" Caster adjustment
- King-Pin (S.A.I.)
- Included Angle
- Multilink (Toe+Camber+Caster)
- Thrust Angle (only with electronic turntables)
- Toe-out-on-turns (only with electronic turntables)
- Run-out (automatic compensation)

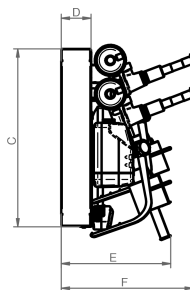
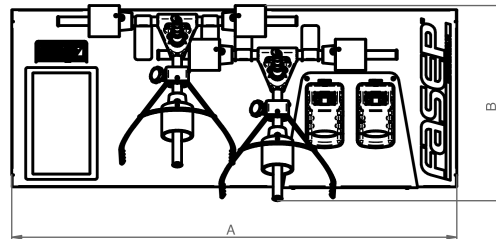
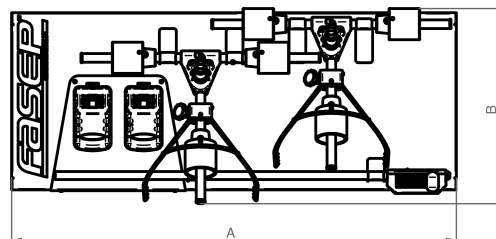
MAIN FUNCTIONS

- Image bank
- Cars data bank
- Trucks data bank OPTION
- Customer data bank unlimited
- Zoom
- Printing
- Self calibration
- Self diagnostic
- Advanced diagnostics program
- Pre-inspection report
- Print-out format selection
- Resume function
- Ride-height related specifications
- Measure Suspension (Jack & Hold)
- Toe-curve (generic)
- Toe-curve (VAG)
- Engine-cradle adjustment
- Lifter compensation
- Steering at 10 deg
- Steering Wheel centering ⁽¹⁾

TECHNICAL FEATURES

• Power Source	200-240V 50-60Hz
• Power requirement	max 500 W
• Wheel Diameter	Cars 10-26" - Trucks 10-42"
• Measuring Accuracy	0,01° - 0,1mm
• MEASURING RANGE (WINIRIS/WINTRAX)	
• Total toe	±10°
• Single toe	±5°
• Camber	±12°
• Caster	±30°
• Steering angle ⁽¹⁾	±40°

(1) electronics turntables required



- A=1135 mm
- B= 500 mm
- C= 450 mm
- D= 75 mm
- E= 280 mm
- F= 340 mm

www.fasep.it

Authorized dealer



For further information about this and other products, please visit www.fasep.it

FASEP
MADE IN ITALY

FASEP 2000 s.r.l.
Via Faentina, 96 - 50032 Ronta (Firenze) ITALY
Tel. +39 055 8403126 - Fax +39 055 8403354