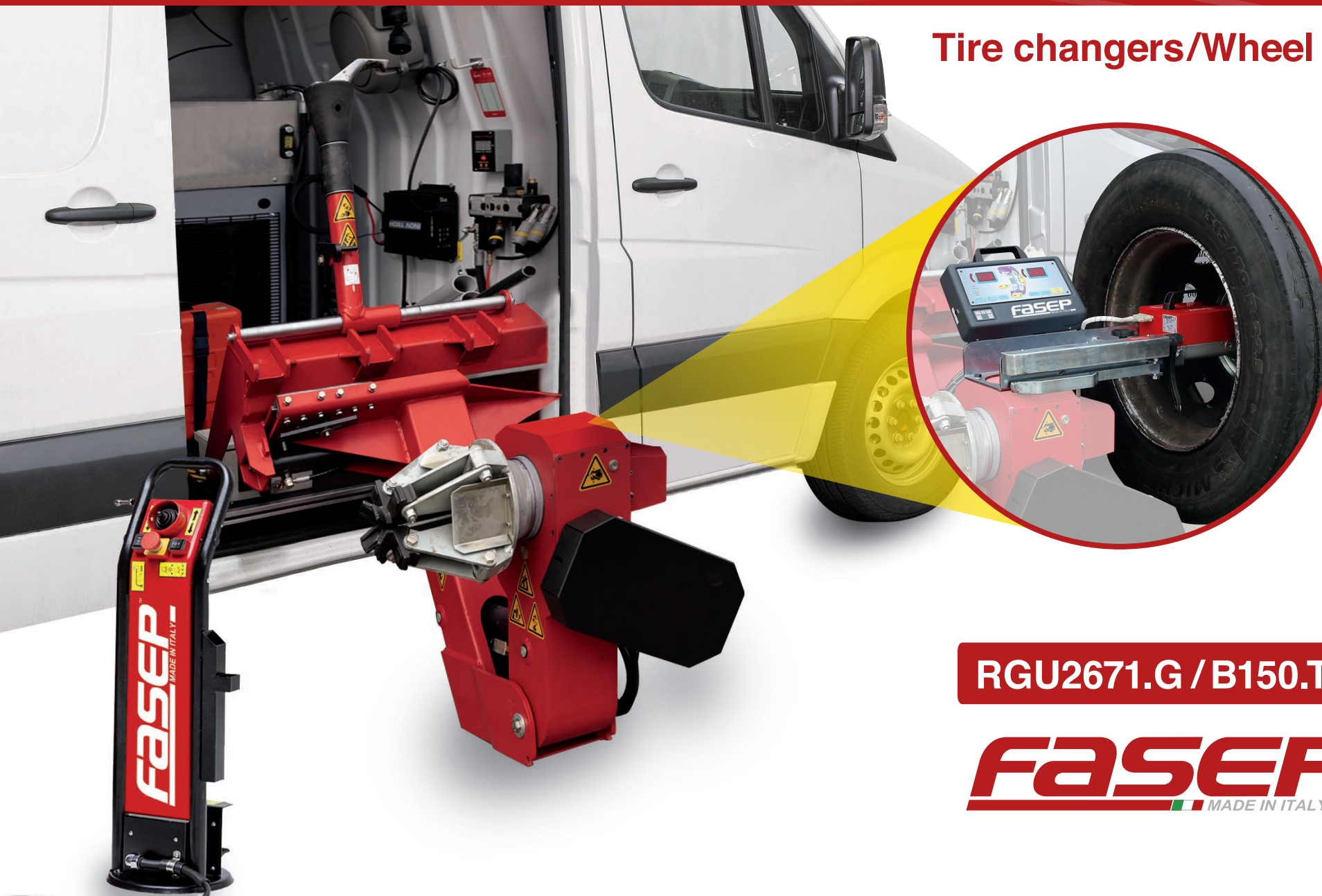




Tire changers/Wheel balancers



RGU2671.G / B150.T

mobile service

FASEPTM
MADE IN ITALY

RGU2671.G PRESENTATION - AXES TO DEVELOP

GENERAL PRESENTATION

- RGU2671.G **introduction**
- The main **differences** between both models
- Some explanations about the **options**

INSTALLATION

- **Vehicles suitable** with RGU2671.G
- **Installation** of RGU2671.G (rear or side doors)

THE TYREBOX ON ITS MARKET

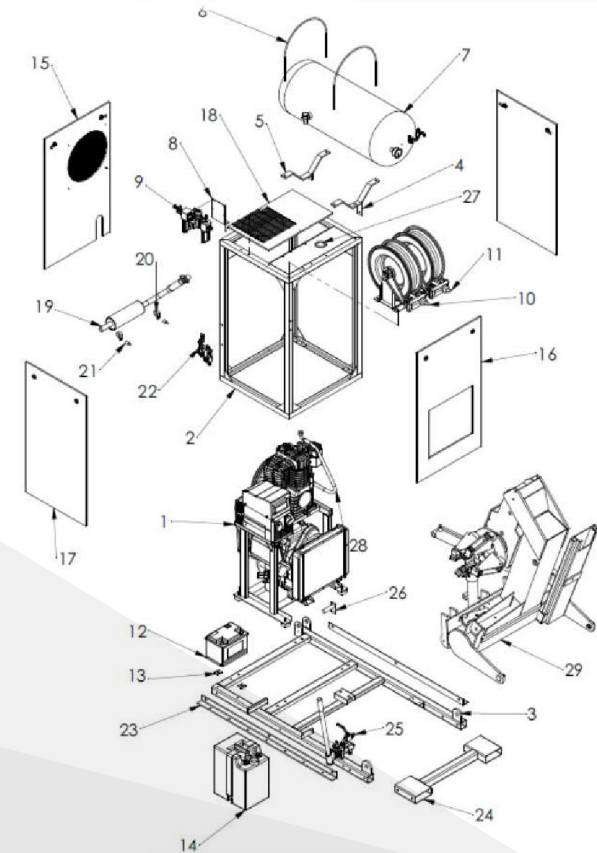
- **Advantages** of RGU2671.G compared with its **competitors**
- They **trust** Guernet Compresseurs

RGU2671.G INTRODUCTION

- **Truck tyre changer** combined with **diesel compressor**, specially designed for **outdoor service** on truck wheels
- Compact design to be fixed on vehicles up to 3.5 Tons ; **no special driving license** required
- Compressor mounted with Lombardini diesel engine and air pump with FAD of 750l/min (**1**), 10/12 bars, 120 lt tank (**6**), FRL (**9**), 2 x 20m air hose reels (**10-11**), jerry can (**14**)

Truck tyre changer main features:

- **Remote control unit**
- Automatic hydraulic **self-centering clamping** system
- Clamping system 4 clamps (protection for alu wheels)
- Inner clamping **13" to 26"**
- Max. wheel diameter 1380 mm
- Max wheel width 600 mm
- Max wheel weight **1000 kg**





**RGU2671.G.GENSET
AIR & POWER**

VS



**RGU2671.G.EH.GENSET
ALL HYDRAULIC**

THE MAIN DIFFERENCES BETWEEN BOTH RGU2671.G MODELS

RGU2671.G.GENSET

RGU2671.G.EH.GENSET

WEIGHT

- 779 kg

- 698 kg

Free space required for installation

- 178x109x174,5cm (LxWxH)

- 170x120x170cm (LxWxH)

ELECTRIC POWER

- 7kva power generator
1 x 7kva tri-phase plug
+ 1 x 2kva single-phase plug

- 600W inverter to produce
220V single-phase electricity
(1500W or 2000W optional)

- The **RGU2671.G.GENSET** has the advantage of having a **7kva power inverter** and can be plugged to a 400V electric power supply line
- The **RGU2671.G.EH.GENSET** is the evolution of the latter and is 81kg lighter. The tyre changer chuck is driven thanks to the hydraulic pump and doesn't need electricity anymore. Thanks to this, it is **lighter** and **more powerful**

SOME EXPLANATIONS ABOUT THE OPTIONS

**Kit for light
and commercial vehicles
(except for alu wheels)**



**Kit to mount car
wheels from 14"**

**Kit of 4 protection rings
for alu wheels**



**Top desk to carry
tools and gease pot**



**Wheel balancer mounted
on RGU2671.G**

**Bead breaker
disk**



Disc for larger wheels

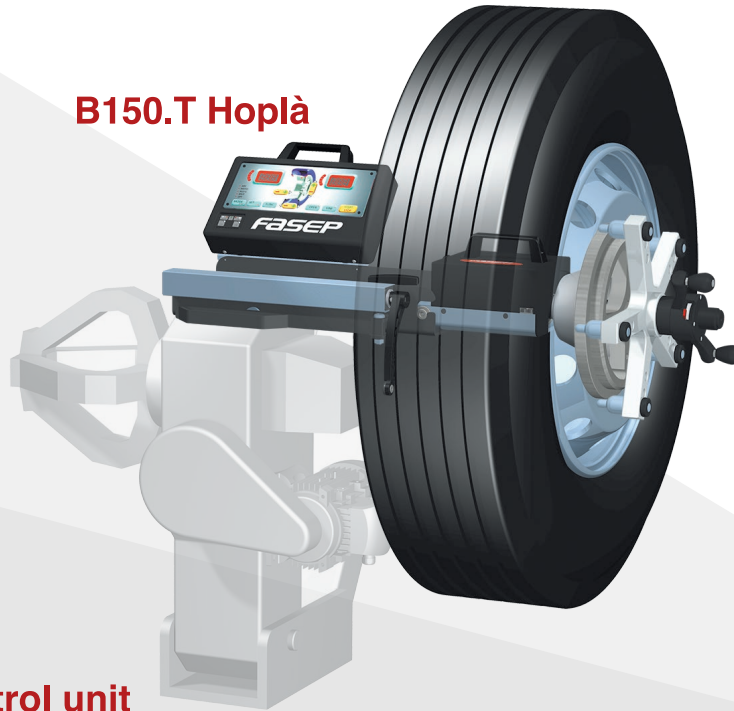
**Automatic drain
Electric cable reel
Trail for installation**

SOON NEW OPTION



■ Remote control unit

B150.T Hoplà



■ Wheel balancer B150.T mounted on the RGU2671.G

VEHICLES SUITABLE WITH RGU2671.G

Almost all common **L2H2** and **L3H3** vehicles are suitable with **RGU2671.G**

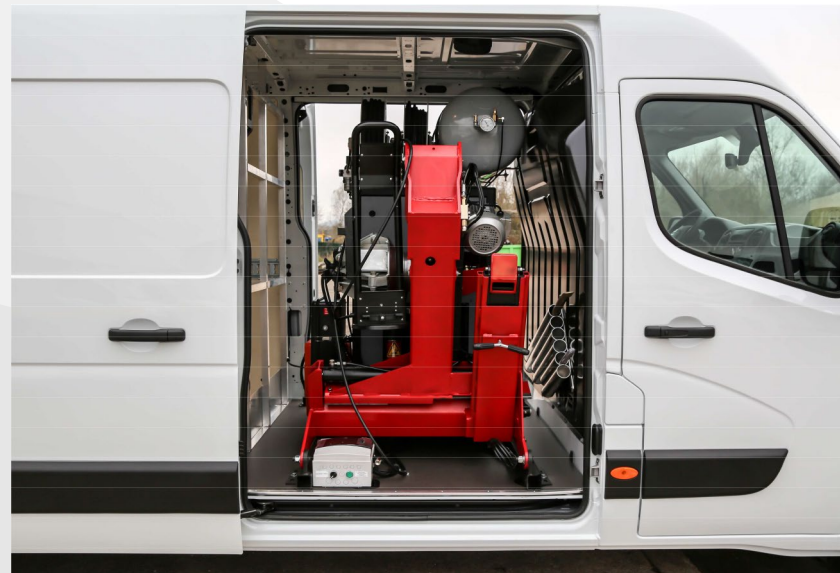
Below are examples of models and brands.

RENAULT
MASTER

FORD
TRANSIT

OPEL
MOVANO

PEUGEOT
BOXER



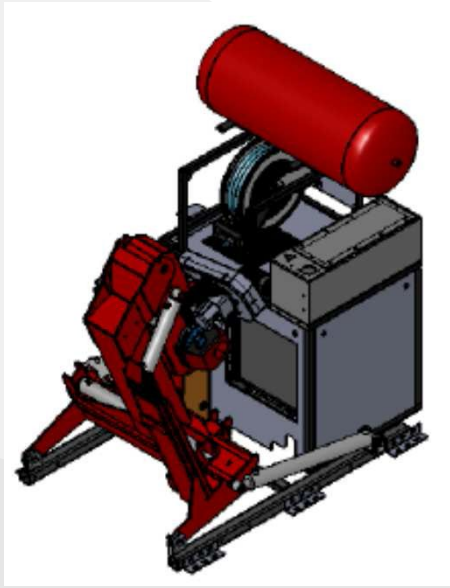
CITROEN
JUMPER

MERCEDES
SPRINTER

IVECO
DAILY

VOLKSWAGEN
CRAFTER

INSTALLATION OF RGU2671.G



The installation of **RGU2671.G** is done thanks to a **forklift** and an optional **rail**. For the fixation, you need to choose 2/3 holes on each side and **drill the floor**, according to the position of the fuel tank and stringers under the vehicle to avoid them.

Pay attention to the **floor passage of the exhaust** and the drain.



INSTALLATION AT SIDE DOOR

OR



**INSTALLATION AT REAR DOOR
WITH INVERTED CHUCK**

ADVANTAGES OF RGU2671.G COMPARED WITH ITS COMPETITORS



FASEP
RGU2671.G

GIULIANO
S561

CORGHI
HD650 TILT

M&B
DIDO 26MV

WEIGHT

779kg (Genset)
698kg (EH.Genset)

860kg

860kg

880kg

POWER
Bead losener
force

25 000N

16 900N

TBC

19 500N

RGU2671.G

LIGHTER AND MORE POWERFUL

FASEP 
MADE IN ITALY



QUALCUNO DI CUI TI PUOI FIDARE
SOMEONE YOU CAN TRUST

Since 1969



www.fasep.it



+39 055 8403126

