



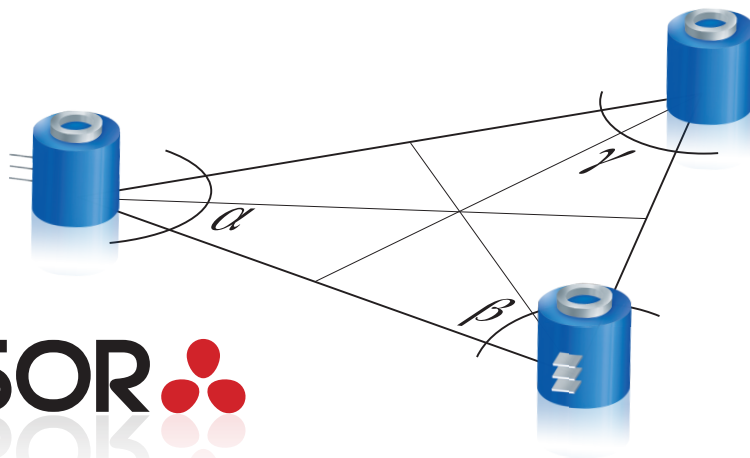
The advantages of FASEP Balancing System

3 Sensors System

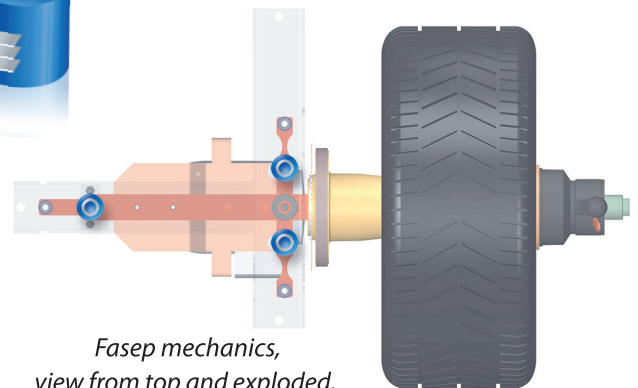


for unbalancing measurement

TRI
SENSOR 



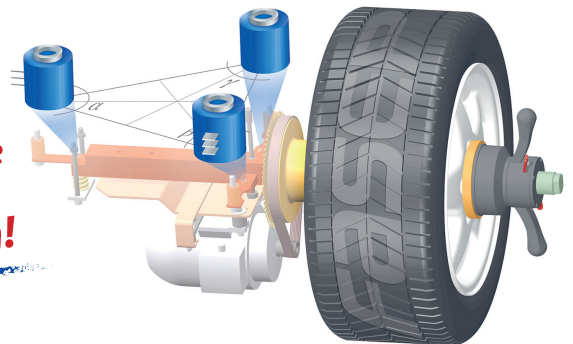
Ideal system



Fasep mechanics, view from top and exploded, with the 3 sensors clearly visible.

- **NO** no need of **mechanical ties**
- **YES** it is **stable by itself**
- **YES** the centrifugal force goes completely **through the sensors**
- **YES** the unbalance is **completely** measured
- **YES** with each type of wheel, also of large size or width, **results are always perfect**

Exclusive FASEP Design!



FASEP Wheel Balancing System
TriSensor + IFS: simply incomparable!



FASEP 
MADE IN ITALY